

# CONAIR® HOSPITALITY



## WCM12

### bru-POD

#### Cuisinart® Single Serve Coffeemaker

- Approved for Hospitality Use
- Uses and is compatible with any single-cup pod brand, including Keurig® K-Cup® pods\*
- Easy-to-Fill Water reservoir (8 oz maximum fill capacity)
- Brews 8 oz. beverages, such as coffee, tea, or hot cocoa, in less than 3 minutes
- Illuminated Power Button
- Lock Knob initiates brewing process
- Auto Shutoff
- Easy-to-Clean, wipeable base
- BPA free

\*K-Cup is a registered trademark of Keurig Green Mountain, Inc. Conair Cuisinart Hospitality is not affiliated with Keurig Green Mountain, Inc.

### Specifications

Rated Power: 120 V, 60 Hz,  
800W

Power Cord: 35.43 inches



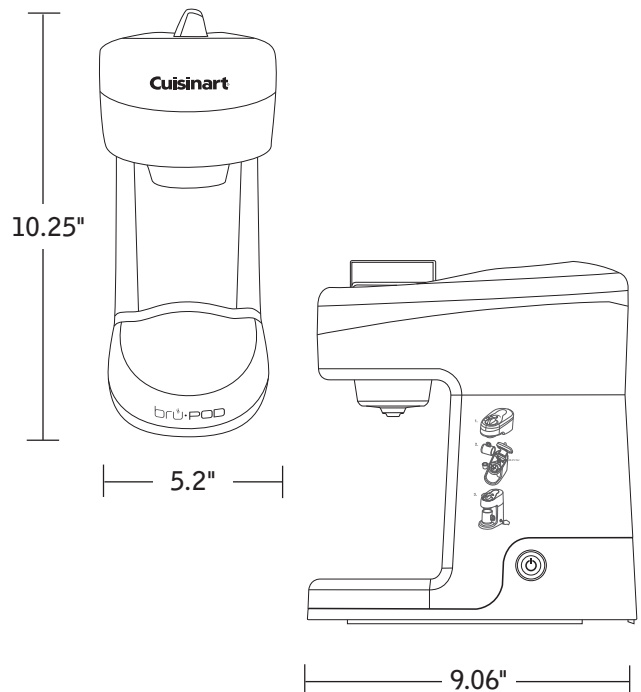
### Packing Dimensions and Weight

Master Pack: 6 (1pc/giftbox, 6pcs/carton)

Dimensions: 10" x 5.5" x 10.6" (giftbox)  
20.5" x 16.9" x 11.5" (carton size)

Case Weight: GW = 24lbs

Case Cube: 20' Load qty = 2624  
40' Load qty = 5568  
40' HQ Load qty = 6264



Product UPC

Product MBC

040072100635

10040072100632