



see what Delta can do™

IN2ITION®

- 2-In-1 Shower
- 4 Spray Settings Hand Shower
- Certified Dual Check Valves

FEATURES:

- Touch-Clean® Nozzles

STANDARD SPECIFICATIONS

- Maximum 1.75 gpm @ 80 psi, 6.6 L/min. @ 550 kPa
- Integrated hand shower docks securely into shower head when not in use
- 3-way diverter allows for single or shared operation of the shower head and hand shower
- Easy turn dial to change hand shower sprays
- 60"-82" (1524 - 2083 mm) stretchable metal hose
- Hand held shower with 4 spray settings - pause is a non-positive shut-off

WARRANTY

- Parts and Finish - Lifetime limited warranty; or for commercial purchasers, 10 years for multi-family residential (apartments and condominiums) and 5 years for all other commercial uses, in each case from the date of purchase.
- Electronic Parts and Batteries (if applicable) - 5 years from the date of purchase; or for commercial purchasers, 1 year from the date of purchase. No warranty is provided on batteries.



COMPLIES WITH:

- ASME A112.18.1 / CSA B125.1 ◆
- EPA WaterSense®

◆ Your Delta Faucet hand shower incorporates a backflow protection system that has been tested to be in compliance with ASME A112.18.3 and ASME A112.18.1/CSA B125.1. It incorporates two certified check valves in series, which operate independently and are integral, non-serviceable parts of the wand assembly.

Spray Patterns

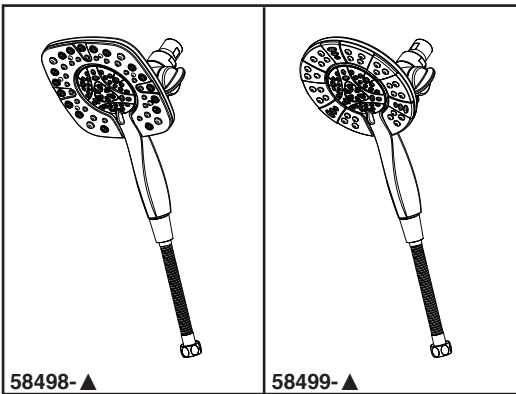


Full Body Spray

Full Spray w/Massage

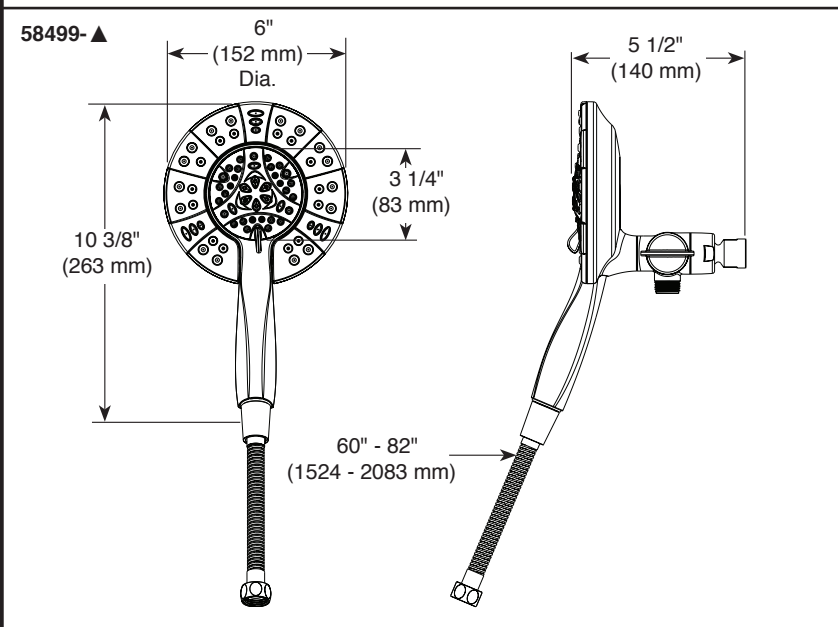
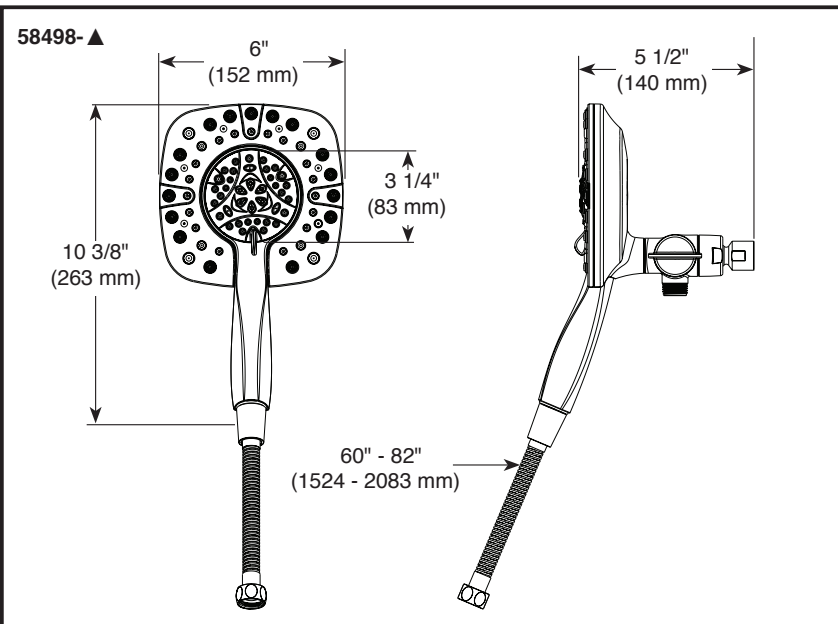
Massage Spray

Pause



Submitted Model No.: _____

Specific Features: _____



▲ Designate proper finish suffix

Delta reserves the right (1) to make changes in specifications and materials, and (2) to change or discontinue models, both without notice or obligation. Dimensions are for reference only. See current full-line price book or www.deltafaucet.com for finish options and product availability.

Delta Faucet Company

55 E. 111th Street, Indianapolis, IN 46280
 350 South Edgeware Road, St. Thomas, ON N5P 4L1
 © 2019 Delta Faucet Company