

The ASSA ABLOY Group is the global leader in access solutions. Every day we help people feel safe, secure and experience a more open world.

NOVEL LOCK

June 7th, 2023

Experience a safer and more open world

Internal

ASSA ABLOY

VingCard Novel Mortise Lock

- Fire listed (UL, BS, EN), ANSI BHMA certified, EN certified
- Sustainable materials
- Aesthetically appealing anodized aluminum finishes
- Designed for both indoor and outdoor use in all weather conditions
- Optional high security mechanical override cylinder
- Battery-free option available - no battery change needed



Ideal for:
New Construction

VingCard Novel Standard Finish options



**Natural
Anodized**



**Black
Anodized**



**Gold
Anodized**



**Rose
Gold**



**Light
Brown
Anodized**



**Dark
Brown
Anodized**

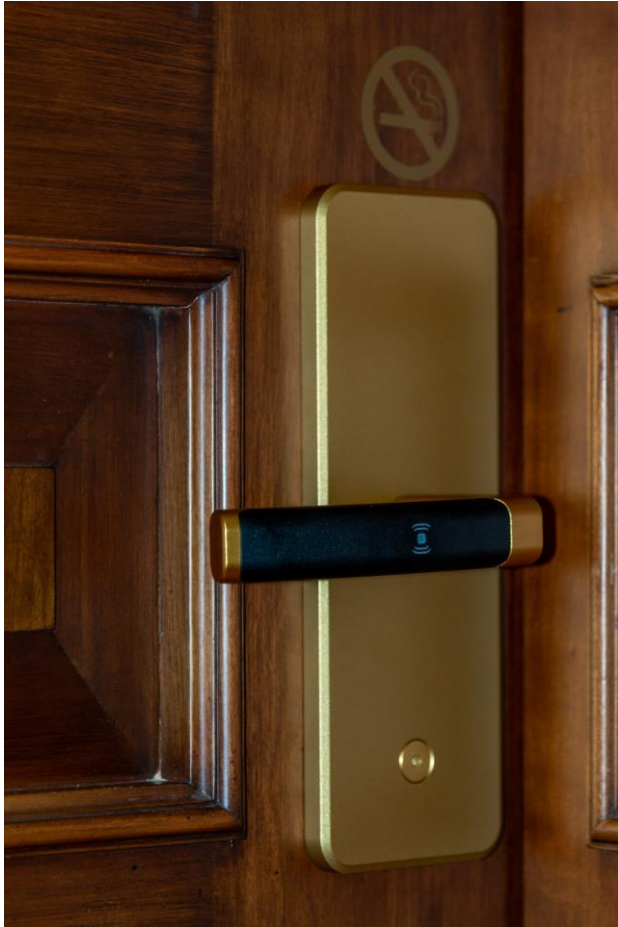


Custom
-
tailored
Finishes



- Coming product families have decorative parts in anodized aluminium
- Any color is possible
- High level of climate protection – for outdoor use

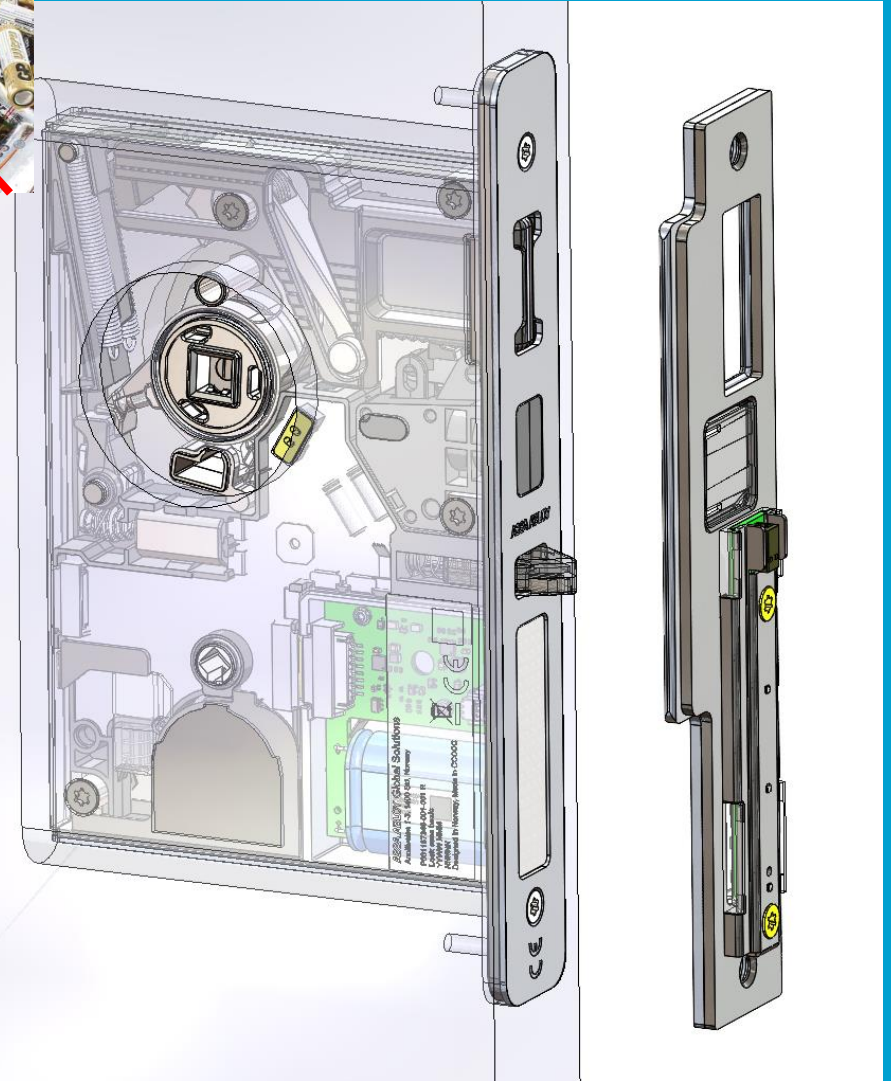
Cover Plates For Retrofit



- Cover plates for our own old locks
Signature/Classic
- Possible to generate new variants/dimensions to cover up other hole patterns
- Same colors as handles/rosettes

Feature – Battery-free Variant Available

- A solution to replace batteries and avoid battery change in the locks' lifetime
- Why?
 - Sustainability – less battery waste globally
 - Battery change has always been an operational disadvantage
- The solution is based on non-visible infrared light shining from the frame side onto a panel in the lock, charging a super capacitor
- Minimum 100 door openings backup capacity if mains power fails



VingCard Novel Tubular Latch lock

- Upgrade standard mechanical latches to electronic locks
 - Ideal for back of house doors with mechanical latches
- Hardware has built-in radio for Zigbee and BLE
- Climate resistant – for indoor and outdoor use
- Available Q3 2023





Thank you

assaabloy.com